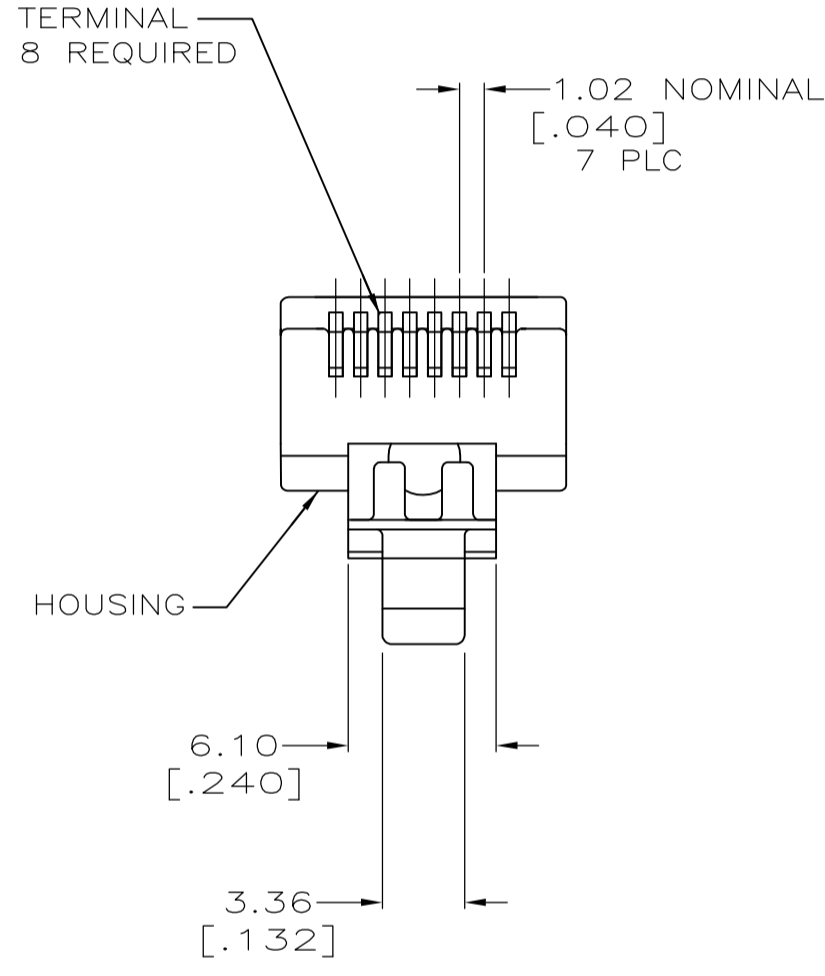
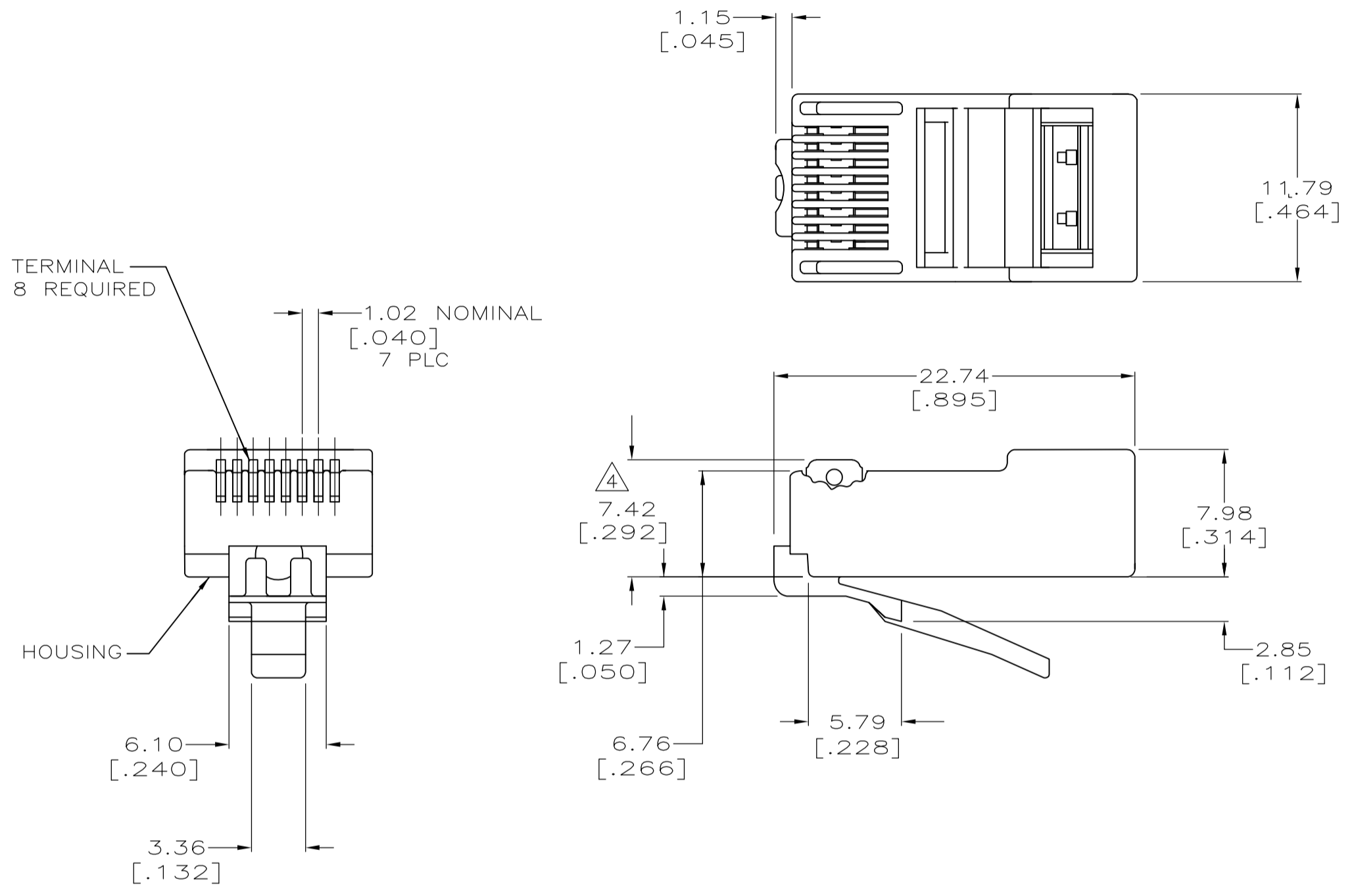


LOC	DIST	REVISIONS					
HM	00	P	LTR	DESCRIPTION	DATE	DWN	APVD
		B		ECO-06-021606	13OCT06	JM	CD
		C		REV ECO-08-007212	31MAR08	LH	BM

- 1. DIMENSIONS ARE MAXIMUM UNLESS OTHERWISE SPECIFIED.
- 2. MATERIAL: HOUSING- POLYCARBONATE, CLEAR  
 TERMINAL- PHOSPHOR BRONZE, PLATED WITH 1.27μm [.000050] MINIMUM THICK GOLD IN LOCALIZED GOLD PLATE AREA, GOLD FLASH OVER THE REMAINDER, OVER 2.54μm [.000100] MINIMUM THICK NICKEL UNDERPLATE.
- 3. PLUG WILL ACCEPT 26 OR 28 AWG STRANDED WIRE, 0.74-0.99 [.029-.039] DIAMETER.
- 4. TERMINATED DIMENSION 6.15 [.242] MAXIMUM.
- 5. 10,000 ASSEMBLIES PER PACKAGE.
- 6. 500 ASSEMBLIES PER PACKAGE.
- 7. 100 ASSEMBLIES PER PACKAGE.



7	5-557961-3
6	5-557961-2
5	5-557961-1

THIS DRAWING IS A CONTROLLED DOCUMENT.		DWN B. SIMPSON 4-22-93	Tyco Electronics Corporation Harrisburg, PA 17105-3608	
DIMENSIONS: mm [INCHES]		CHK C. WHITT 4-30-93	NAME MCCRATH/HAWKINS	
TOLERANCES UNLESS OTHERWISE SPECIFIED:		APVD 5-5-93	PRODUCT SPEC	
0 PLC ± -		APPLICATION SPEC		
1 PLC ± -		WEIGHT		
2 PLC ± -		SIZE A2		
3 PLC ± -		CAGE CODE 00779		
4 PLC ± -		DRAWING NO 557961		
ANGLES ± -		RESTRICTED TO		
FINISH ± -		CUSTOMER DRAWING		
MATERIAL		SCALE 4:1		
		SHEET 1 OF 1		
		REV C		